



Applications

Designed for use with Dudley Vantage and Miniflo concealed cisterns and Illusion A and V wall hung sanitary ware frames.

Water Saving

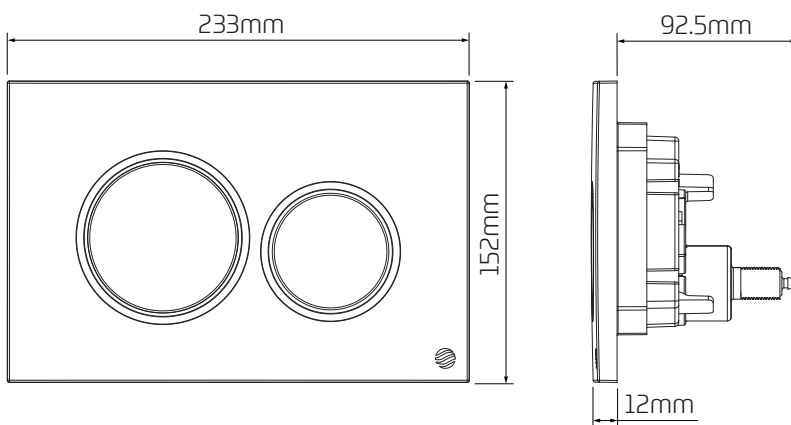
Dual flush operation for full and water saving reduced flush.

Features

- ~ Dual flush
- ~ Smooth pneumatic operation
- ~ Brushed Nickel finish
- ~ Can be positioned up to 250mm away from the cistern
- ~ Available in other colours - please enquire.



Dimensional Data



Technical Data

| | |
|-----------------------|---------------------------------|
| Operation | Pneumatic |
| Pneumatic Tube Length | 750mm |
| Required Aperture | 205mm x 116mm |
| Mounting Options | IPS Panelling, Furniture, Walls |
| Material | ABS |
| Code | 372925 |



Applications

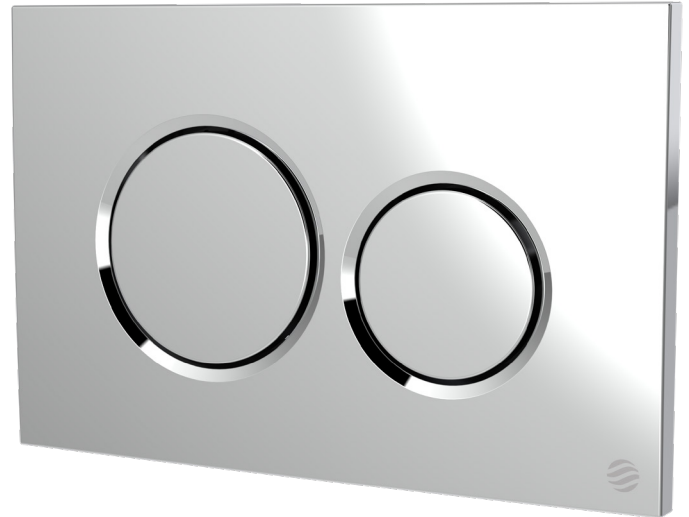
Designed for use with Dudley Vantage and Miniflo concealed cisterns and Illusion A and V wall hung sanitary ware frames.

Water Saving

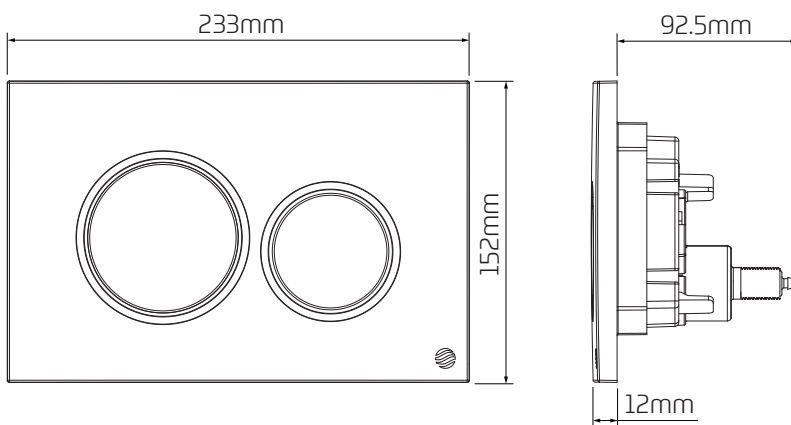
Dual flush operation for full and water saving reduced flush.

Features

- ~ Dual flush
- ~ Smooth pneumatic operation
- ~ Chrome
- ~ Can be positioned up to 250mm away from the cistern
- ~ Available in other colours - please enquire.



Dimensional Data



Technical Data

| | |
|-----------------------|---------------------------------|
| Operation | Pneumatic |
| Pneumatic Tube Length | 750mm |
| Required Aperture | 205mm x 116mm |
| Mounting Options | IPS Panelling, Furniture, Walls |
| Material | ABS |
| Code | 372565 |

Dudley



DUDLEY DRIFT™

Pneumatic Push Plate
Matt Black

Applications

Designed for use with Dudley Vantage and Miniflo concealed cisterns and Illusion A and V wall hung sanitary ware frames.

Water Saving

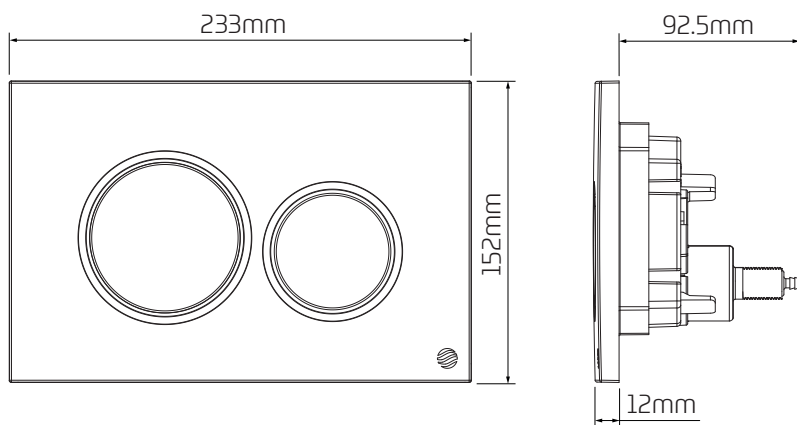
Dual flush operation for full and water saving reduced flush.

Features

- ~ Dual flush
- ~ Smooth pneumatic operation
- ~ Matt Black finish
- ~ Can be positioned up to 250mm away from the cistern
- ~ Available in other colours - please enquire.



Dimensional Data



Technical Data

| | |
|-----------------------|---------------------------------|
| Operation | Pneumatic |
| Pneumatic Tube Length | 750mm |
| Required Aperture | 205mm x 116mm |
| Mounting Options | IPS Panelling, Furniture, Walls |
| Material | ABS |
| Code | 372918 |

T H O M [Visit Plumb2u](#)

D U D L [See product](#)

Dudley



DUDLEY DRIFT™

Pneumatic Push Plate
Soft Touch Grey

Applications

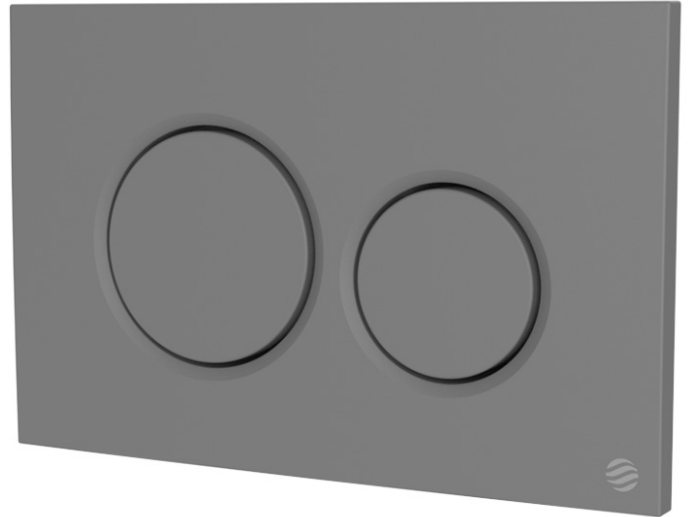
Designed for use with Dudley Vantage and Miniflo concealed cisterns and Illusion A and V wall hung sanitary ware frames.

Water Saving

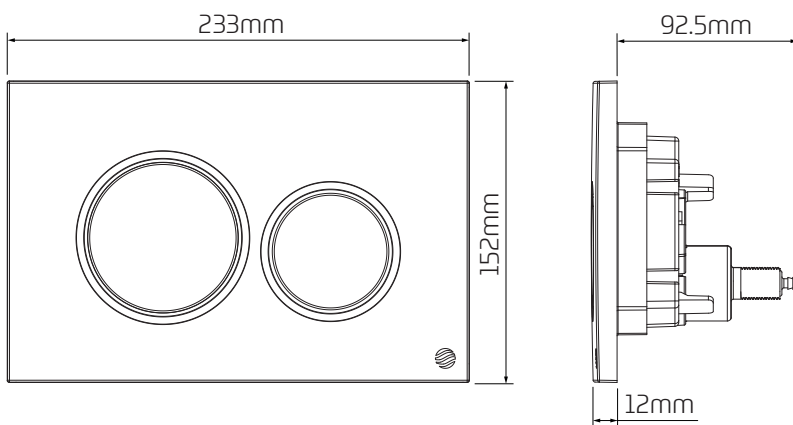
Dual flush operation for full and water saving reduced flush.

Features

- ~ Dual flush
- ~ Smooth pneumatic operation
- ~ Soft Touch Grey finish
- ~ Can be positioned up to 250mm away from the cistern
- ~ Available in other colours - please enquire.



Dimensional Data



Technical Data

| | |
|-----------------------|---------------------------------|
| Operation | Pneumatic |
| Pneumatic Tube Length | 750mm |
| Required Aperture | 205mm x 116mm |
| Mounting Options | IPS Panelling, Furniture, Walls |
| Material | ABS |
| Code | 373324 |

T H O M [Visit Plumb2u](#)
D U D L [See product](#)



Applications

Designed for use with Dudley Vantage and Miniflo concealed cisterns and Illusion A and V wall hung sanitary ware frames.

Water Saving

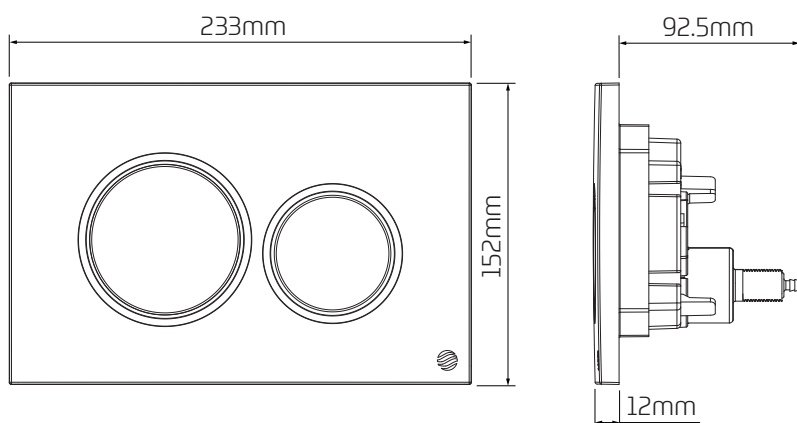
Dual flush operation for full and water saving reduced flush.

Features

- ~ Dual flush
- ~ Smooth pneumatic operation
- ~ Satin Brass finish
- ~ Can be positioned up to 250mm away from the cistern
- ~ Available in other colours - please enquire.



Dimensional Data



Technical Data

| | |
|-----------------------|---------------------------------|
| Operation | Pneumatic |
| Pneumatic Tube Length | 750mm |
| Required Aperture | 205mm x 116mm |
| Mounting Options | IPS Panelling, Furniture, Walls |
| Material | ABS |
| Code | 375049 |